

P 300 *Premium
Class*

PALFINGER

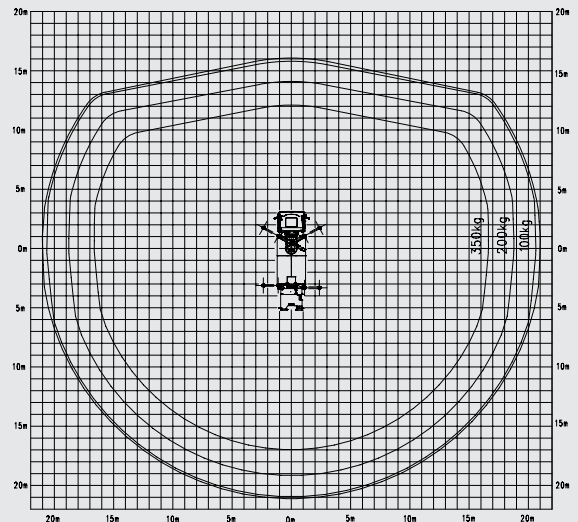
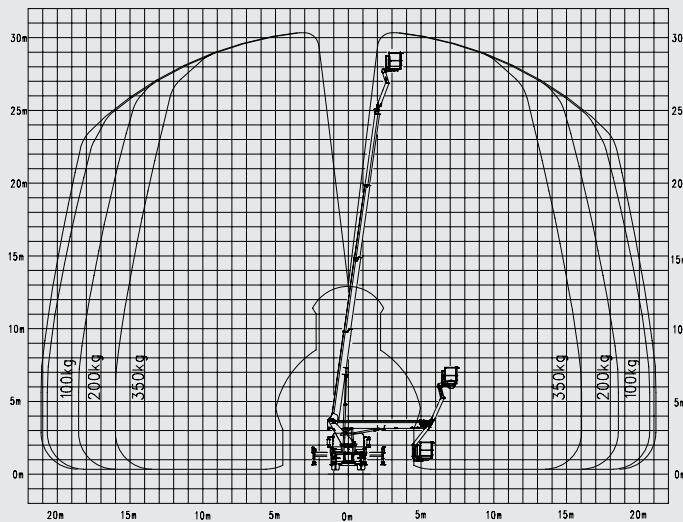
LIFETIME EXCELLENCE

FUNCTION AND DESIGN FOR MAXIMUM CUSTOMER BENEFIT

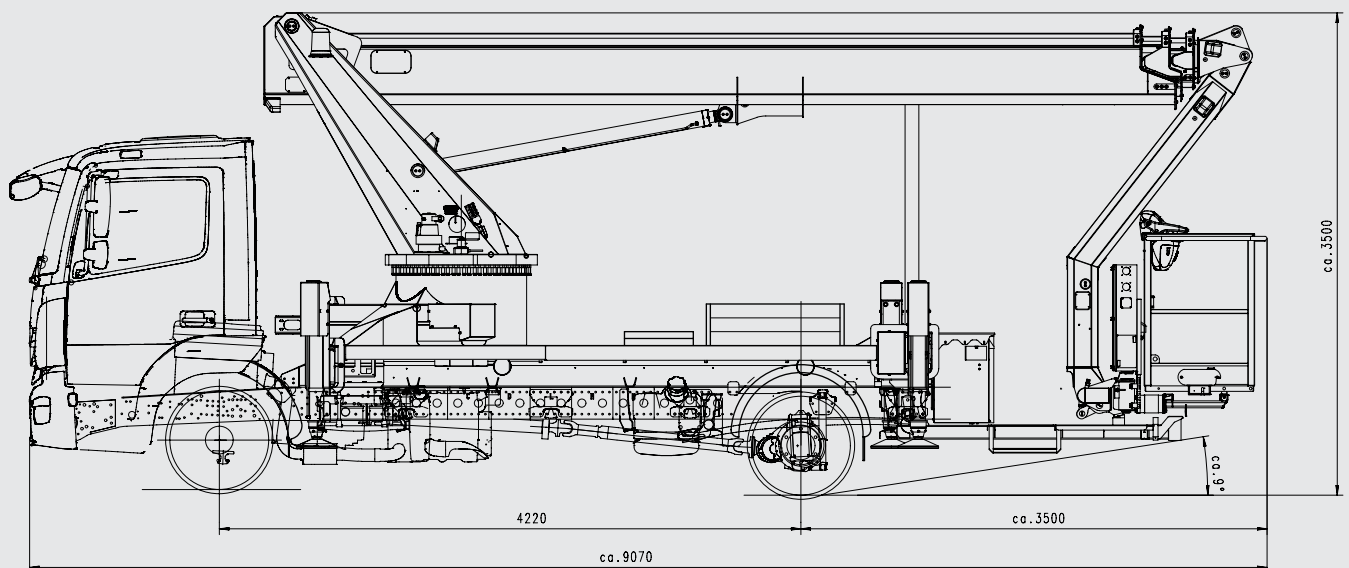


P 300 *Premium Class*

WORKING DIAGRAMS



DIMENSIONS





- Ideal for municipal applications and for rental
- A range of user-friendly functions that make the user's life easier (PALFINGER home function, PALFINGER memory function)
- Efficient PALFINGER reach optimisation system
- Slewing possible within the mirror width
- Variable stabilizer system
- KTL coating
- Underride guard in accordance with EC Directive 2006/20/EC instead of the standard rear attachment

TECHNICAL SPECIFICATIONS

Max. working height	30 m
Max. cage bottom height	28 m
Max. outreach to the side (incl. hand area)	20.7 m
Max. outreach to the back (incl. hand area)	20.9 m
Angle of main boom	0° - 82°
Rotation angle of turntable	540°
Rotation angle of cage	2 x 85°
Rotation angle of cage boom	195°
Max. cage load	350 kg
Size of cage	1.8 x 0.8 x 1.1 m
Max. inclination of platform	5°
Height in transportposition	3.50 m
Width in transportposition	2.52 m
Overall length	9.07 m
Wheelbase	4.22 m
Overall weight with persons in the cab	7150 kg

STANDARD EQUIPMENT

Taillifts
Memory function
Home function
Automated positioning system
Safety plates
230 V CEE current supply with CEE socket in the workman basket
24 V DC socket in the workman basket
Battery voltage monitor

LIFETIME EXCELLENCE

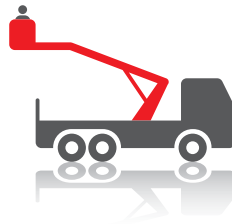
THE RESULT IS **PALFINGER ACCESS PLATFORMS** FEATURING THE MOST STATE-OF-THE-ART HEIGHT TECHNOLOGY THAT ACHIEVE ABSOLUTE PEAK PERFORMANCES, EVEN WHEN CONFRONTED WITH THE MOST DIFFICULT OF JOBS IN PRACTICE. **DEVELOPED FOR THE GLOBAL MARKET, DESIGNED FOR THE FUTURE.**

BETTER
SOLUTIONS

BETTER
EFFICIENCY

BETTER
ERGONOMICS

HIGHER VALUE
RETENTION



HIGHER
AVAILABILITY

HIGHER
SERVICEABILITY

BETTER
ECOLOGY

MORE
RELIABILITY

For further information please visit: www.palfinger.com/thebrand